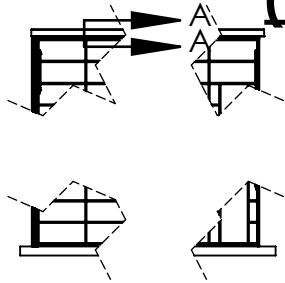


Monday, August 23, 2021 10:42:05 AM

POWERLIFT JUNIOR HEAD DETAIL (DOUBLE TRUSS WOOD BUILDING HEAD MEMBER)



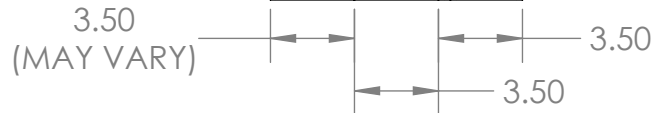
WOOD LAGS SPACED
36" MAX ON-CENTER
TYP 1/2" DIA. WOOD LAG
(SIZE MAY VARY)

BUILDING HEADER
DOUBLE WOOD TRUSS
BY OTHERS
(SIZE AND RELATIVE
LOCATION MAY VARY)

POWERLIFT HINGES

POWERLIFT FRAME
HEADER TUBE

POWERLIFT SWINGING
DOOR LEAF



SECTION A-A
SCALE 1 : 8

PROPRIETARY AND CONFIDENTIAL

THE INFORMATION CONTAINED
IN THIS DRAWING IS THE SOLE
PROPERTY OF POWERLIFT
DOORS. ANY REPRODUCTION
IN PART OR AS A WHOLE
WITHOUT THE WRITTEN
PERMISSION OF POWERLIFT
DOORS IS PROHIBITED.



		UNLESS OTHERWISE SPECIFIED:		NAME	DATE
		DIMENSIONS ARE IN INCHES TOLERANCES: FRACTIONAL ± ANGULAR: MACH ± BEND ± TWO PLACE DECIMAL ± THREE PLACE DECIMAL ±	DRAWN		
		INTERPRET GEOMETRIC TOLERANCING PER: ASME Y14. 5-2009	CHECKED		
		MATERIAL	ENG APPR.		
		FINISH	MFG APPR.		
		APPLICATION	Q.A.		
		DO NOT SCALE DRAWING	COMMENTS:		

Part Number	N/A	
TITLE:	Wood Jamb and Double Truss Header	
SIZE	Door Type(s)	REV
A	Junior	A
SCALE: 1:25	WEIGHT:	SHEET 1 OF 3

B

B

A

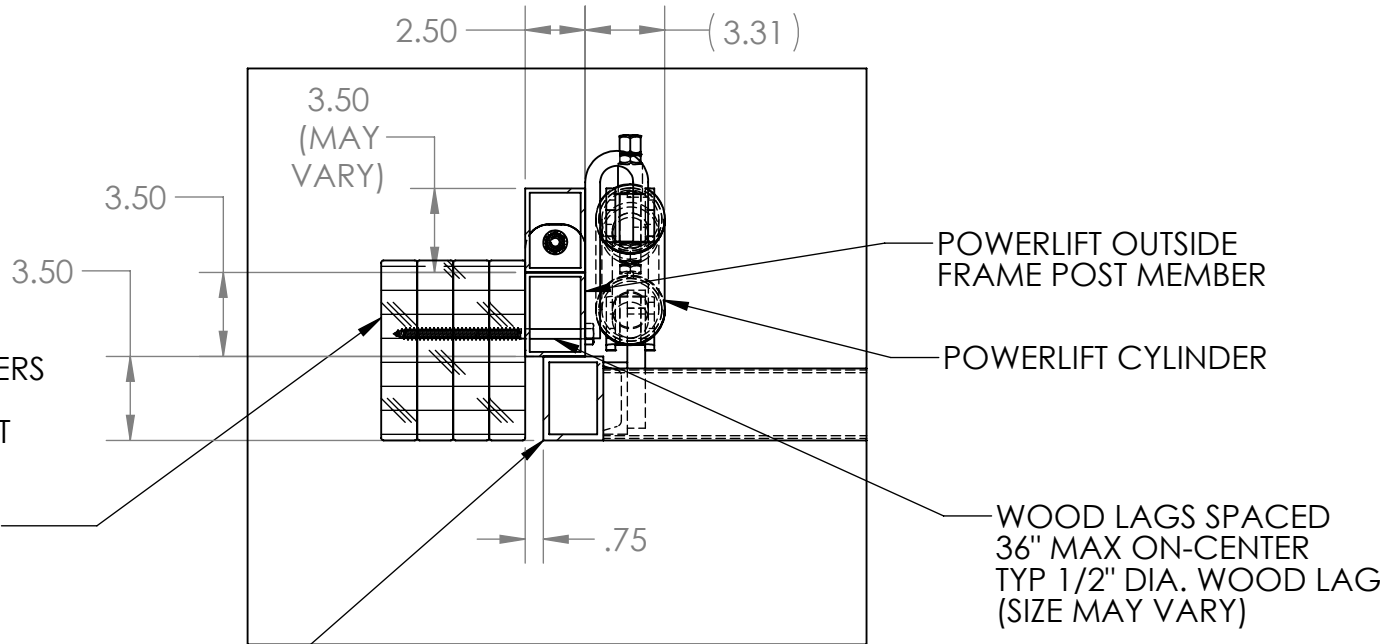
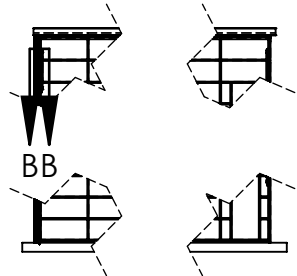
A

Monday, August 23, 2021 10:42:05 AM

POWERLIFT JUNIOR JAMB DETAIL (WOOD BUILDING JAMB MEMBER)

B

B



BUILDING JAMB
2X6 OR LARGER MEMBERS
BY OTHERS - CONFIRM
WITH LOCAL POWERLIFT
REPRESENTATIVE
(SIZE AND RELATIVE
LOCATION MAY VARY)

POWERLIFT OUTSIDE
DOOR LEG MEMBER

SECTION B-B
SCALE 1 : 8

PROPRIETARY AND CONFIDENTIAL

THE INFORMATION CONTAINED
IN THIS DRAWING IS THE SOLE
PROPERTY OF POWERLIFT
DOORS. ANY REPRODUCTION
IN PART OR AS A WHOLE
WITHOUT THE WRITTEN
PERMISSION OF POWERLIFT
DOORS IS PROHIBITED.



		UNLESS OTHERWISE SPECIFIED:		NAME	DATE
		DIMENSIONS ARE IN INCHES	DRAWN		
		TOLERANCES:	CHECKED		
		FRACTIONAL ±	ENG APPR.		
		ANGULAR: MACH ± BEND ±	MFG APPR.		
		TWO PLACE DECIMAL ±	Q.A.		
		THREE PLACE DECIMAL ±	COMMENTS:		
		INTERPRET GEOMETRIC TOLERANCING PER: ASME Y14. 5-2009			
		MATERIAL			
		FINISH			
NEXT ASSY	USED ON				
APPLICATION		DO NOT SCALE DRAWING			

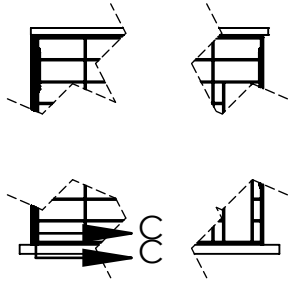
Part Number	N/A	
TITLE:	Wood Jamb and Double Truss Header	
SIZE	Door Type(s)	REV
A	Junior	A
SCALE: 1:25	WEIGHT:	SHEET 2 OF 3

A

A

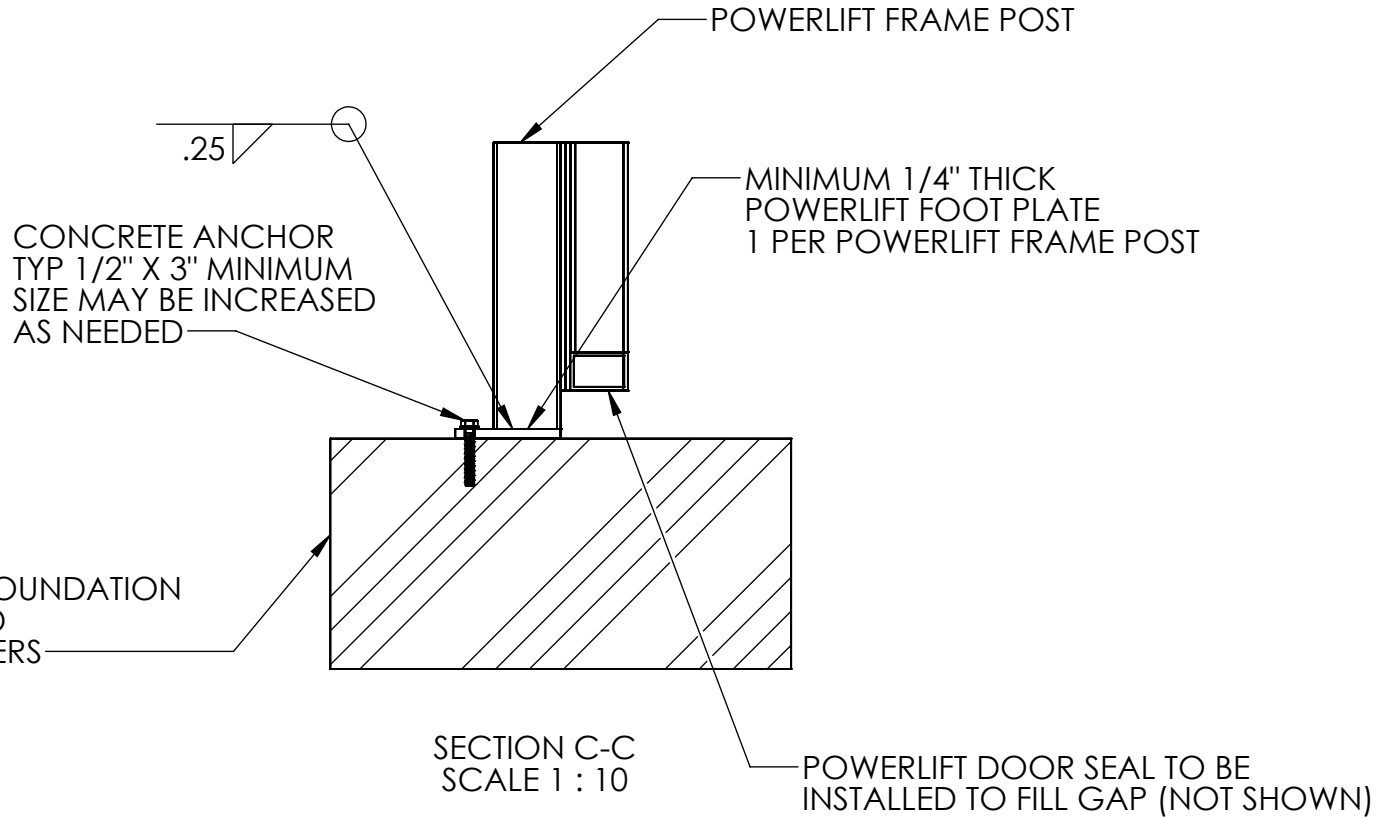
Monday, August 23, 2021 10:42:05 AM

POWERLIFT JUNIOR SILL DETAIL



B

B



CONCRETE/REBAR FOUNDATION TO BE SPECIFIED AND COMPLETED BY OTHERS

SECTION C-C
SCALE 1 : 10

POWERLIFT DOOR SEAL TO BE INSTALLED TO FILL GAP (NOT SHOWN)

PROPRIETARY AND CONFIDENTIAL

THE INFORMATION CONTAINED IN THIS DRAWING IS THE SOLE PROPERTY OF POWERLIFT DOORS. ANY REPRODUCTION IN PART OR AS A WHOLE WITHOUT THE WRITTEN PERMISSION OF POWERLIFT DOORS IS PROHIBITED.



		UNLESS OTHERWISE SPECIFIED:		NAME	DATE
		DIMENSIONS ARE IN INCHES	DRAWN		
		TOLERANCES:	CHECKED		
		FRACTIONAL ±	ENG APPR.		
		ANGULAR: MACH ± BEND ±	MFG APPR.		
		TWO PLACE DECIMAL ±	Q.A.		
		THREE PLACE DECIMAL ±	COMMENTS:		
		INTERPRET GEOMETRIC TOLERANCING PER: ASME Y14. 5-2009			
		MATERIAL			
		FINISH			
NEXT ASSY	USED ON				
APPLICATION		DO NOT SCALE DRAWING			

Part Number	N/A	
TITLE:	Wood Jamb and Double Truss Header	
SIZE	Door Type(s)	REV
A	Junior	A
SCALE: 1:25	WEIGHT:	SHEET 3 OF 3

A

A