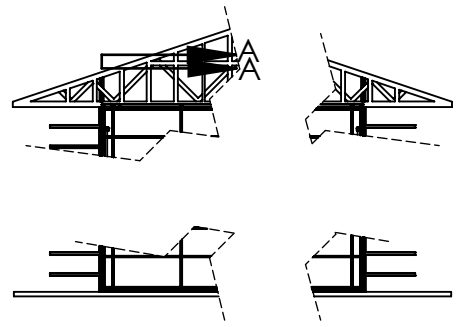
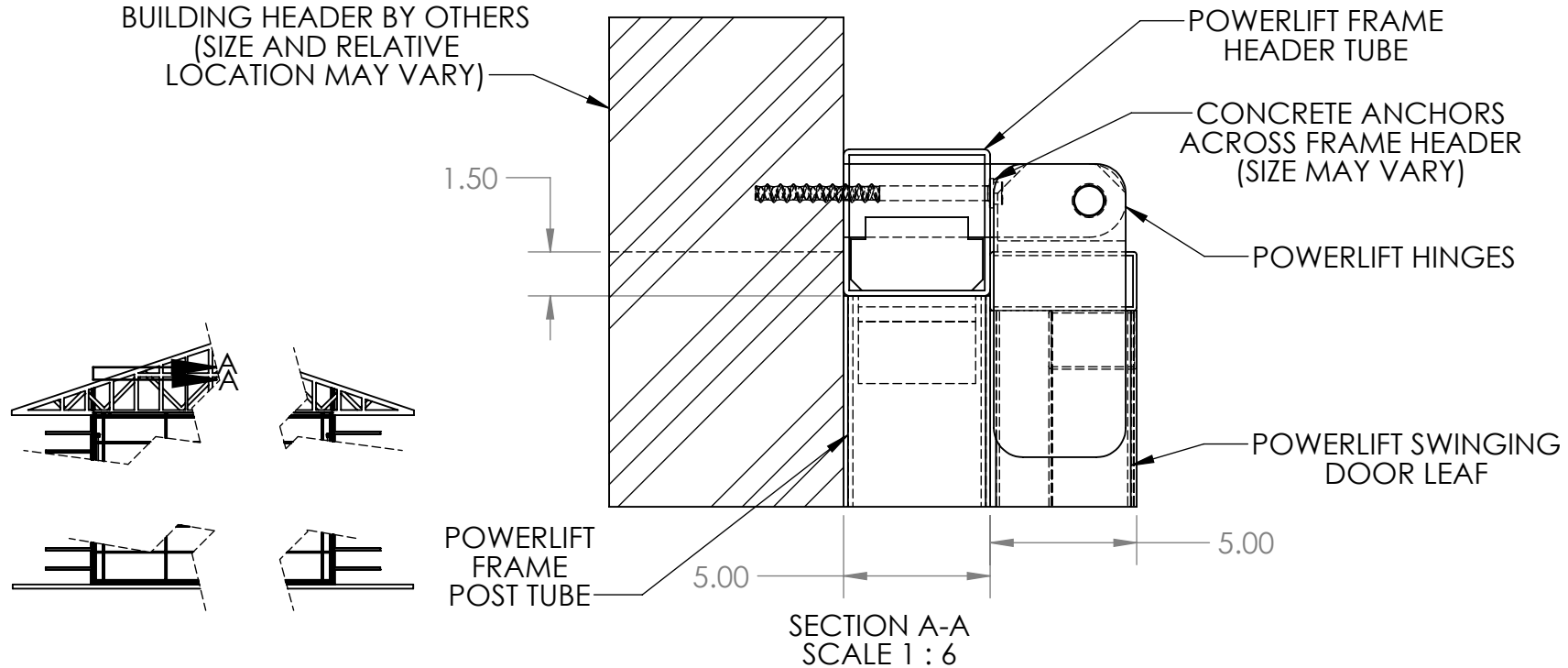


Wednesday, May 11, 2022 11:59:36 AM

POWERLIFT STANDARD OUTSIDE MOUNT HEAD DETAIL (CONCRETE BUILDING HEAD MEMBER)

B

B



A

A

PROPRIETARY AND CONFIDENTIAL

THE INFORMATION CONTAINED IN THIS DRAWING IS THE SOLE PROPERTY OF POWERLIFT DOORS. ANY REPRODUCTION IN PART OR AS A WHOLE WITHOUT THE WRITTEN PERMISSION OF POWERLIFT DOORS IS PROHIBITED.



		UNLESS OTHERWISE SPECIFIED:		NAME	DATE
		DIMENSIONS ARE IN INCHES	DRAWN		
		TOLERANCES:	CHECKED		
		FRACTIONAL ±	ENG APPR.		
		ANGULAR: MACH ± BEND ±	MFG APPR.		
		TWO PLACE DECIMAL ±	Q.A.		
		THREE PLACE DECIMAL ±	COMMENTS:		
		INTERPRET GEOMETRIC TOLERANCING PER: ASME Y14. 5-2009			
		MATERIAL			
		FINISH			
NEXT ASSY	USED ON				
APPLICATION		DO NOT SCALE DRAWING			

Part Number	N/A	
TITLE:	Concrete Jamb and Header Outside Mount	
SIZE	Door Type(s)	REV
A	Standard	A
SCALE: 1:25	WEIGHT:	SHEET 1 OF 3

Wednesday, May 11, 2022 11:59:36 AM

POWERLIFT STANDARD OUTSIDE MOUNT JAMB DETAIL (CONCRETE BUILDING JAMB MEMBER)

B

B

BUILDING JAMB BY OTHERS
(SIZE AND RELATIVE
LOCATION MAY VARY)

5.81

3.00

CONCRETE ANCHORS
APPROX. 30" ON-CENTER
(SIZE MAY VARY)

POWERLIFT OUTSIDE
FRAME POST MEMBER

POWERLIFT CYLINDER MOUNT

POWERLIFT CYLINDER

5.00

5.00

POWERLIFT OUTSIDE
DOOR LEG MEMBER

POWERLIFT DOOR
BOTTOM TRUSS MEMBER

SECTION B-B
SCALE 1 : 12

STEEL PLATES
CONCRETE
ANCHORS
THROUGH

DETAIL F
SCALE 1 : 30

STEEL PLATES
CONCRETE
ANCHORS
THROUGH

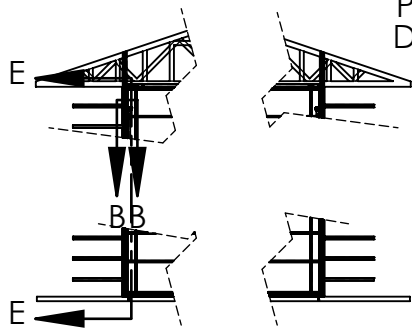
25.88

4.25

APPROX.
30" TYP

6.00

SECTION E-E
SCALE 1 : 60



PROPRIETARY AND CONFIDENTIAL

THE INFORMATION CONTAINED
IN THIS DRAWING IS THE SOLE
PROPERTY OF POWERLIFT
DOORS. ANY REPRODUCTION
IN PART OR AS A WHOLE
WITHOUT THE WRITTEN
PERMISSION OF POWERLIFT
DOORS IS PROHIBITED.



		UNLESS OTHERWISE SPECIFIED:		NAME	DATE
		DIMENSIONS ARE IN INCHES			
		TOLERANCES:			
		FRACTIONAL ±			
		ANGULAR: MACH ± BEND ±			
		TWO PLACE DECIMAL ±			
		THREE PLACE DECIMAL ±			
		INTERPRET GEOMETRIC			
		TOLERANCING PER: ASME Y14. 5-2009			
		MATERIAL			
		FINISH			
NEXT ASSY	USED ON				
APPLICATION		DO NOT SCALE DRAWING			

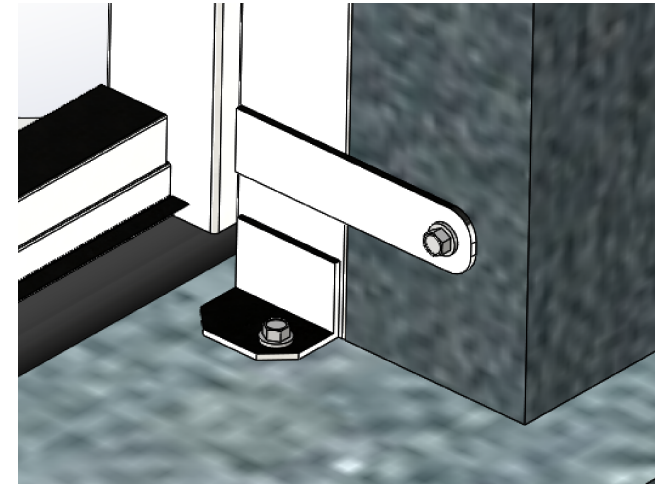
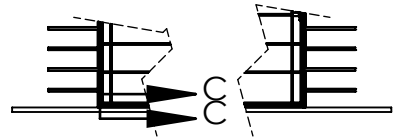
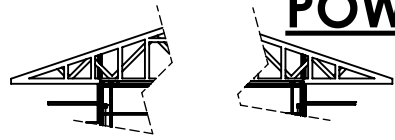
Part Number	N/A	
TITLE:	Concrete Jamb and Header Outside Mount	
SIZE	Door Type(s)	REV
A	Standard	A
SCALE: 1:25	WEIGHT:	SHEET 2 OF 3

A

A

Wednesday, May 11, 2022 11:59:36 AM

POWERLIFT STANDARD OUTSIDE MOUNT SILL DETAIL



B

B

POWERLIFT
FRAME POST

.25

CONCRETE ANCHOR
TYP 1/2" X 3" MINIMUM
SIZE MAY BE INCREASED
AS NEEDED

MINIMUM 1/4" THICK
POWERLIFT FOOT PLATE WELDED
1 PER POWERLIFT FRAME POST

CONCRETE/REBAR FOUNDATION
TO BE SPECIFIED AND
COMPLETED BY OTHERS

SECTION C-C
SCALE 1 : 10

POWERLIFT BOTTOM DOOR TRUSS
VARIES IN SIZE, CONFIGURATION,
AND LOCATION

POWERLIFT WEATHERSTRIP
CLOSEOUT PLATES

POWERLIFT DOOR SEAL
STANDARD SEAL AND
OPTIONAL SECONDARY SEAL
BOTH SHOWN HERE

PROPRIETARY AND CONFIDENTIAL

THE INFORMATION CONTAINED
IN THIS DRAWING IS THE SOLE
PROPERTY OF POWERLIFT
DOORS. ANY REPRODUCTION
IN PART OR AS A WHOLE
WITHOUT THE WRITTEN
PERMISSION OF POWERLIFT
DOORS IS PROHIBITED.



		UNLESS OTHERWISE SPECIFIED:		NAME	DATE
		DIMENSIONS ARE IN INCHES TOLERANCES: FRACTIONAL ± ANGULAR: MACH ± BEND ± TWO PLACE DECIMAL ± THREE PLACE DECIMAL ±	DRAWN		
		INTERPRET GEOMETRIC TOLERANCING PER: ASME Y14. 5-2009	CHECKED		
		MATERIAL	ENG APPR.		
		FINISH	MFG APPR.		
			Q.A.		
			COMMENTS:		
NEXT ASSY	USED ON				
APPLICATION		DO NOT SCALE DRAWING			

Part Number	N/A	
TITLE:	Concrete Jamb and Header Outside Mount	
SIZE	Door Type(s)	REV
A	Standard	A
SCALE: 1:25	WEIGHT:	SHEET 3 OF 3

A

A