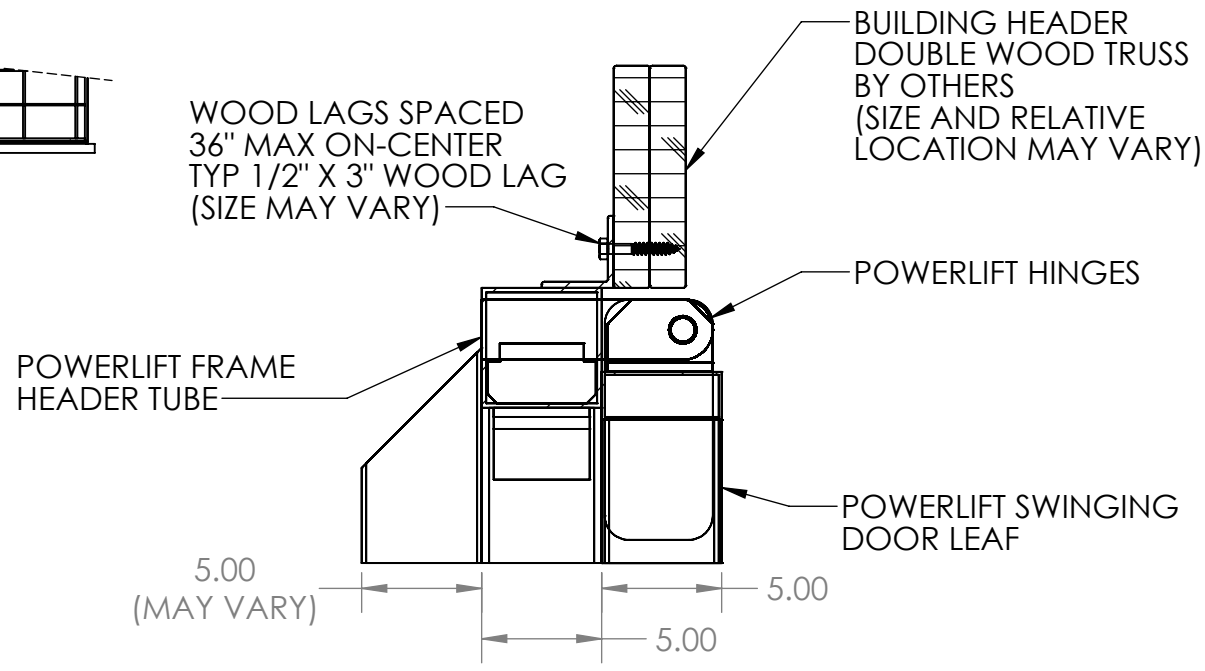
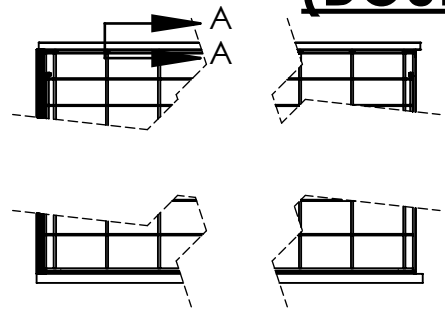


Tuesday, July 27, 2021 8:50:56 AM

POWERLIFT STANDARD HEAD DETAIL (DOUBLE TRUSS WOOD BUILDING HEAD MEMBER)

B

B



5.00 (MAY VARY) 5.00 5.00

SECTION A-A
SCALE 1 : 8

A

A

PROPRIETARY AND CONFIDENTIAL
THE INFORMATION CONTAINED IN THIS DRAWING IS THE SOLE PROPERTY OF POWERLIFT DOORS. ANY REPRODUCTION IN PART OR AS A WHOLE WITHOUT THE WRITTEN PERMISSION OF POWERLIFT DOORS IS PROHIBITED.



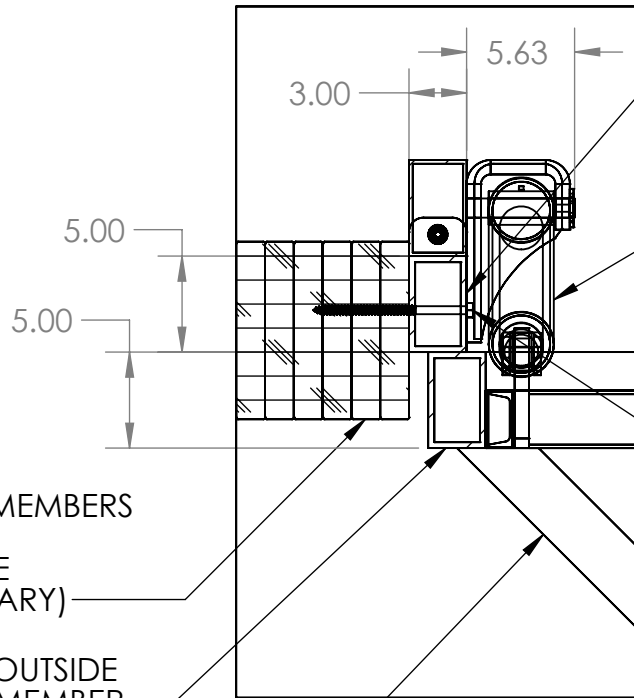
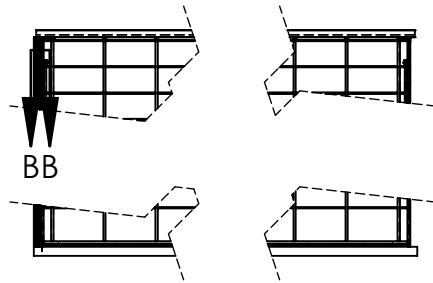
		UNLESS OTHERWISE SPECIFIED:		NAME	DATE	Part Number
		DIMENSIONS ARE IN INCHES				N/A
		TOLERANCES:				TITLE: Wood Jamb and Double Truss Header
		FRACTIONAL ±				
		ANGULAR: MACH ± BEND ±				
		TWO PLACE DECIMAL ±				
		THREE PLACE DECIMAL ±				
		INTERPRET GEOMETRIC TOLERANCING PER: ASME Y14. 5-2009				
		MATERIAL				
		FINISH				
		APPLICATION				
		DO NOT SCALE DRAWING				

	Door Type(s)	REV
A	Standard	A
SCALE: 1:25		WEIGHT:
		SHEET 1 OF 3

POWERLIFT STANDARD JAMB DETAIL (WOOD BUILDING JAMB MEMBER)

B

B



POWERLIFT OUTSIDE
FRAME POST MEMBER

POWERLIFT CYLINDER

WOOD LAGS SPACED
36" MAX ON-CENTER TYP
1/2" DIA. WOOD LAG
(SIZE MAY VARY)

BUILDING JAMB
2X10 OR LARGER MEMBERS
BY OTHERS
(SIZE AND RELATIVE
LOCATION MAY VARY)

POWERLIFT OUTSIDE
DOOR LEG MEMBER

POWERLIFT DOOR
BOTTOM TRUSS MEMBER

SECTION B-B
SCALE 1 : 10

PROPRIETARY AND CONFIDENTIAL

THE INFORMATION CONTAINED
IN THIS DRAWING IS THE SOLE
PROPERTY OF POWERLIFT
DOORS. ANY REPRODUCTION
IN PART OR AS A WHOLE
WITHOUT THE WRITTEN
PERMISSION OF POWERLIFT
DOORS IS PROHIBITED.



		UNLESS OTHERWISE SPECIFIED:		NAME	DATE
		DIMENSIONS ARE IN INCHES	DRAWN		
		TOLERANCES:	CHECKED		
		FRACTIONAL ±	ENG APPR.		
		ANGULAR: MACH ± BEND ±	MFG APPR.		
		TWO PLACE DECIMAL ±	Q.A.		
		THREE PLACE DECIMAL ±	COMMENTS:		
		INTERPRET GEOMETRIC TOLERANCING PER: ASME Y14. 5-2009			
		MATERIAL			
		FINISH			
NEXT ASSY	USED ON				
APPLICATION		DO NOT SCALE DRAWING			

Part Number	N/A	
TITLE:	Wood Jamb and Double Truss Header	
SIZE	Door Type(s)	REV
A	Standard	A
SCALE: 1:25	WEIGHT:	SHEET 2 OF 3

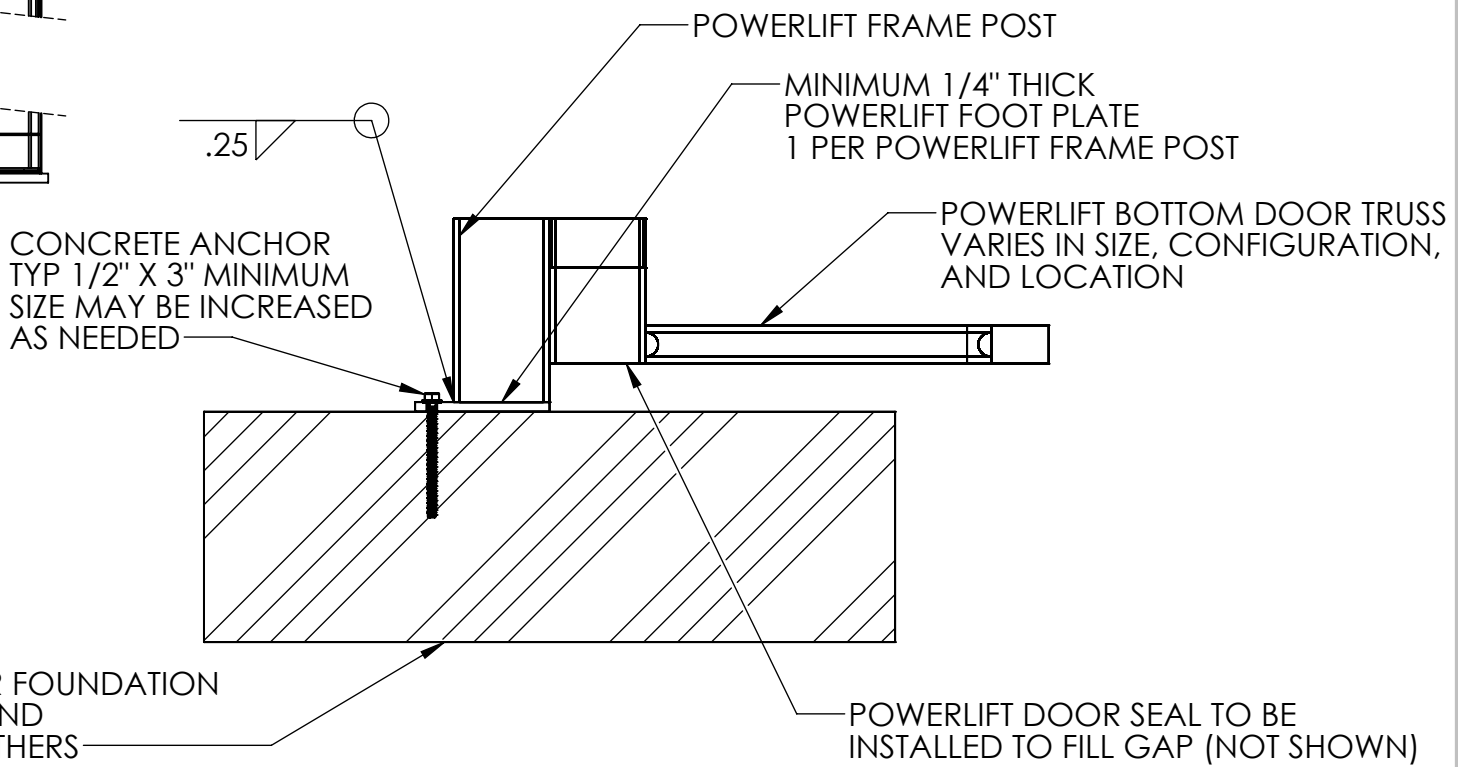
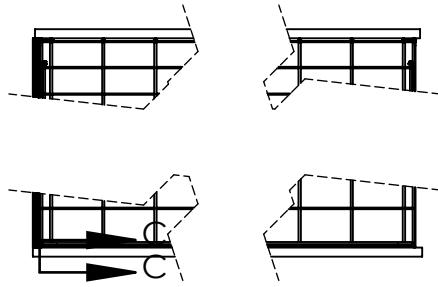
A

A

POWERLIFT STANDARD SILL DETAIL

B

B



SECTION C-C
SCALE 1 : 10

A

A

PROPRIETARY AND CONFIDENTIAL
 THE INFORMATION CONTAINED
 IN THIS DRAWING IS THE SOLE
 PROPERTY OF POWERLIFT
 DOORS. ANY REPRODUCTION
 IN PART OR AS A WHOLE
 WITHOUT THE WRITTEN
 PERMISSION OF POWERLIFT
 DOORS IS PROHIBITED.



		UNLESS OTHERWISE SPECIFIED:		NAME	DATE
		DIMENSIONS ARE IN INCHES			
		TOLERANCES:			
		FRACTIONAL ±			
		ANGULAR: MACH ± BEND ±			
		TWO PLACE DECIMAL ±			
		THREE PLACE DECIMAL ±			
		INTERPRET GEOMETRIC			
		TOLERANCING PER: ASME Y14. 5-2009			
		MATERIAL			
		FINISH			
NEXT ASSY	USED ON				
APPLICATION		DO NOT SCALE DRAWING			

Part Number	N/A	
TITLE:	Wood Jamb and Double Truss Header	
SIZE	Door Type(s)	REV
A	Standard	A
SCALE: 1:25	WEIGHT:	SHEET 3 OF 3